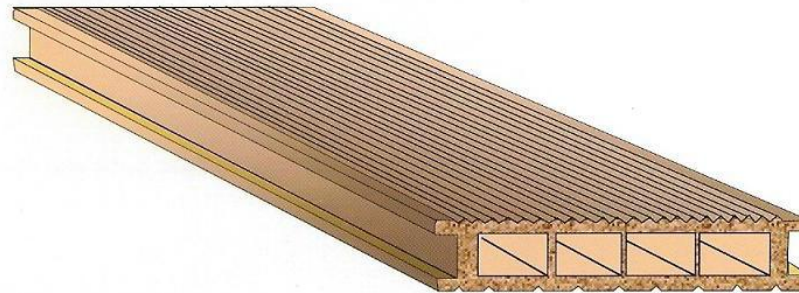
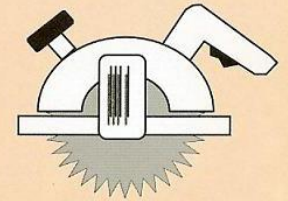


Composite Decking Installation

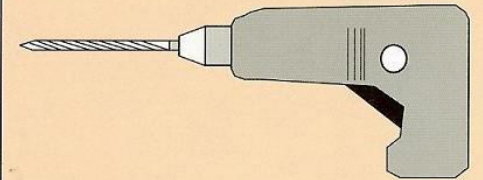
Quick and easy to install, 100% re-cyclable, environmental friendly, no need to varnish, UV protected, termite proof.



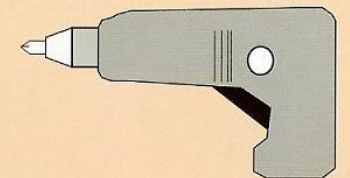
Simple and common tools



Saw



Drill



Screwdriver

1

Storage Conditions

Store blades on a dry, clean & ventilated place, away from sunlight. Store the slides flat 72 hours prior to mounting on the site for implementation.

2

Preparation of support

Ensure that the soil is stable, and good drainage plan is in place. For stabilized soil (earth, grass), disburse a gap of 25 cm and place a drainage material (gravel). Cover with geotextile to prevent the growth of weeds.

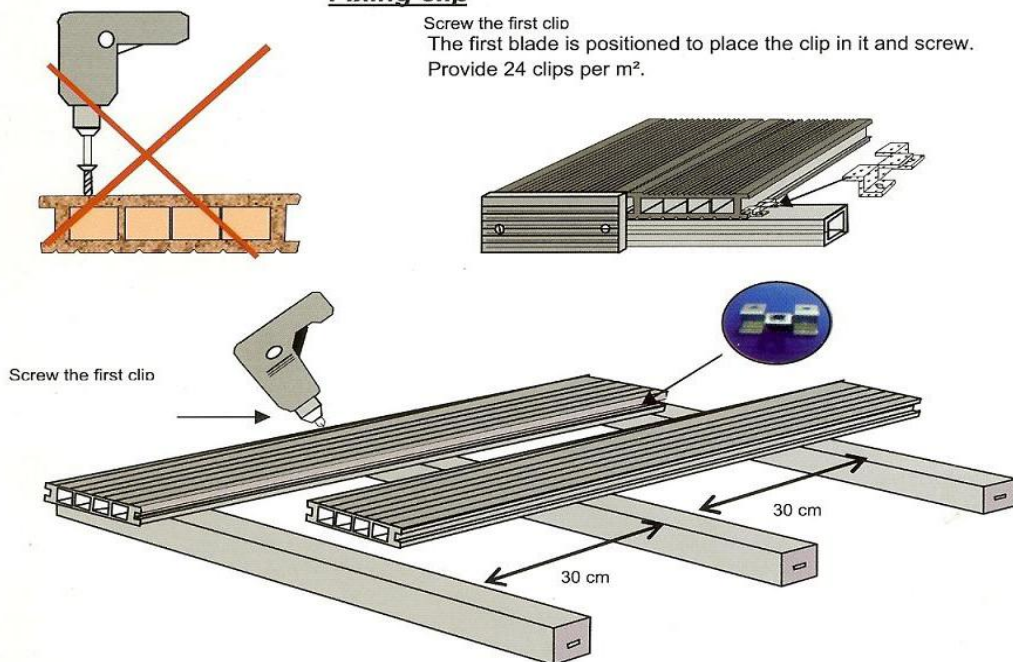
3

Laying blades terrace

Fitting the blades

Fixing clip

Screw the first clip
The first blade is positioned to place the clip in it and screw.
Provide 24 clips per m².



Dilatations

Table of dilatations

Ex: 1 meter placed at 20 ° will be 1038 mm in a few months

4

Installation of Joist

OCOX Joists are not made to use "carrier". In the case of carrier, opt for wooden girders (treated pine or exotic class 4).
 Install Joist exclusively on soils dishes concrete slab perfectly flat, or compacted soil. The joist will not be glued or sealed to the ground. For compacted soils, the joist must be based on plots of foundation concrete.
 A gap of 10 mm per linear meter in the direction of the length of the joist will be created to allow the flow of water.
 A gap of 5 mm per linear meter in the direction of the length of the blade will be created to allow the flow of water.
 The joist should not stand in water or sealing.
 The lambourdes should not stand in water or sealing.

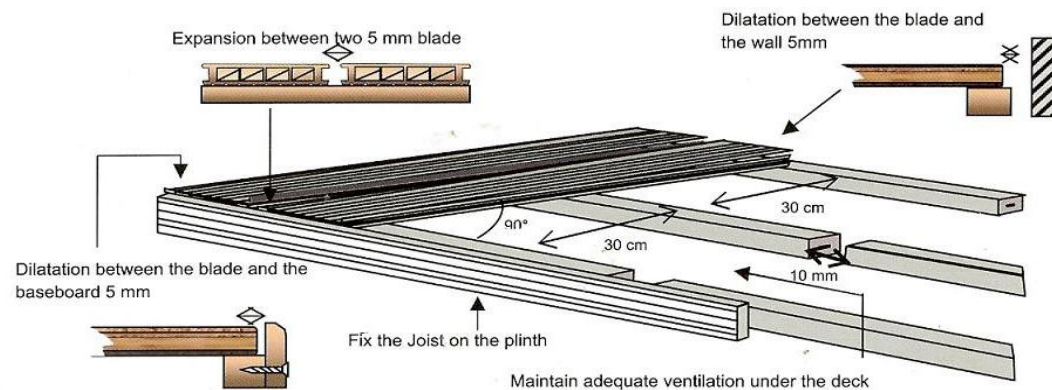
A) For an angle between 90 ° and Joist & Blades

We must comply with an area of 5 mm between the blades and walls.

The space between 2 rows of lambourdes must be between 30 - 40 cm.

A gap of 5 mm in width and 10 mm in length between each slide will continue. The tip of the blades must be based on a Joist.

An area of 5 mm is observed between the last blade and the baseboard.



B) For a 45 ° angle between the blades and Joist

The installation will be identical to the installation of 90 °. The space between the Joist must not exceed 20 cm.

Maintenance

Once a year wash the deck with water added to dilute a mild detergent.
 The cleaning will ideally be with a brush broom. For mold stains use a product containing bleach.
Never use solvents.
 In the event of slight scratches, brush with a wire brush is enough to make them disappear.